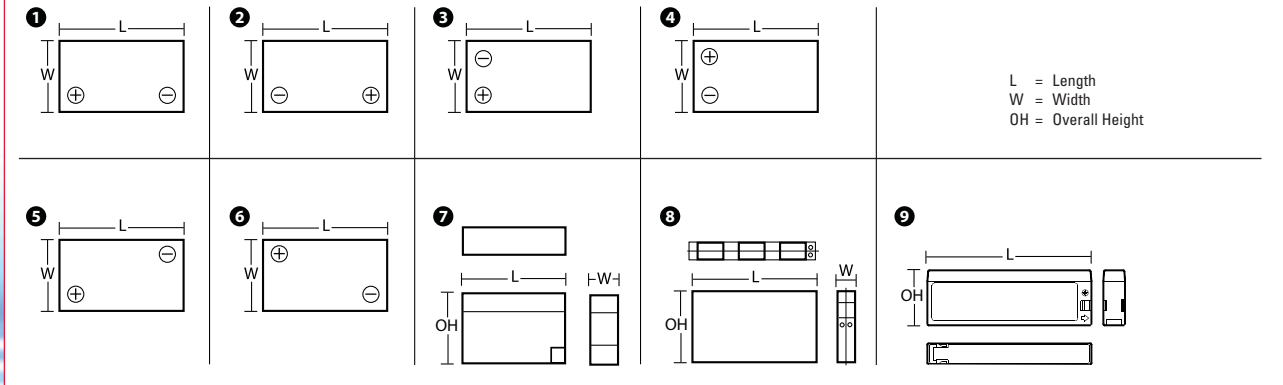




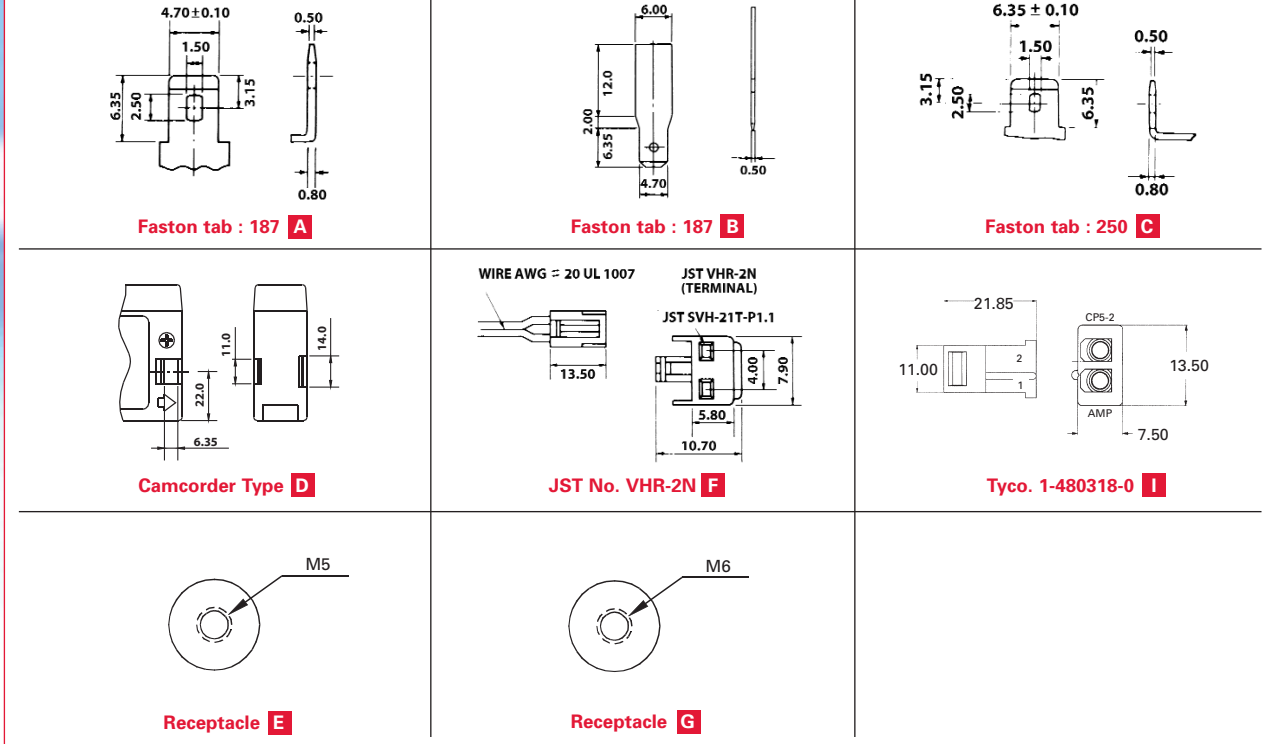
Powerful solutions for industrial applications



Layout



Terminal



Charging

- Refreshing Charge: Product in storage (ambient temperature 25°C) requires a refresh every six months. Apply constant voltage at 2.40 Vpc, initial charging current should be set at less than 0.1CA for 15 to 20 hours.

Discharge

- Stop operation when voltage has reached the minimum permissible voltage (1.6 Vpc). Recharge immediately.
- Do not operate at 6CA or more current continuously.

Storage

- Always store battery in a fully charged condition.
- If battery is to be stored for a long period, apply a recovery refresh charge every 6 months.
- Store batteries in a dry and cool location.

Temperature

- Keep within ambient temperatures of -15°C to 50°C for both charging and discharging.

Incorporating battery into equipment

- Encase battery in a well ventilated compartment.
- Avoid installing battery near heated units such as a transformer.
- House the battery in the lowest section of the equipment enclosure or rack to prevent unnecessary battery temperature rise.

Others

- Avoid terminal short circuit.
- DO NOT expose to open flame.
- Avoid setting batteries in environments which can cause direct contact to petrol, paint thinner, organic solvents, synthetic resins, oil, etc.

Genesis® NP Battery Series

Types	FR Type*	Volts	Nominal Capacity @ 25°C (20 hr rate-Ah)	Length mm	Width mm	Overall Height (Inc. Terminals) mm	Weight kg	Layout	Terminal Illustration
NP1.2-6	NP1.2-6FR	6	1.2	97	25	56	0.30	1	A
NP2.8-6	NP2.8-6FR	6	2.8	67	33	105	0.59	5	A
NP3-6	NP3-6FR	6	3.0	134	33	67	0.69	1	A
NP4-6	NP4-6FR	6	4.0	70	47	105	0.80	5	A
NP7-6	NP7-6FR	6	7.0	151	33	100	1.28	1	A
NP10-6	NP10-6FR	6	10.0	151	50	101	1.99	1	A
NP12-6	NP12-6FR	6	12.0	151	50	101	2.04	1	C
NP0.8-12	NP0.8-12FR	12	0.8	96	25	61	0.37	7	F / I
NP1.2-12	NP1.2-12FR	12	1.2	97	48	56	0.57	3	A
NP2-12	NP2-12FR	12	2.0	150	20	89	0.70	8	B
NP2-12-C	NP2-12-CFR	12	2.0	182	24	61	0.73	6	D
NP2.3-12	NP2.3-12FR	12	2.3	178	35	67	1.02	1	A
NP2.9-12	NP2.9-12FR	12	2.9	79	56	105	1.24	1	A
NP3.4-12	NP3.4-12FR	12	3.4	134	67	67	1.39	3	A
NP5-12	NP5-12FR	12	5.0	90	70	107	1.81	1	A/C
NP7-12	NP7-12FR	12	7.0	151	65	100	2.59	4	A/C
NP10-12	NP10-12FR	12	9.5	151	65	118	3.28	4	A
NP12-12	NP12-12FR	12	12.0	151	98	100	4.06	4	C
NP18-12	NP18-12FR	12	17.2	181	76	167	6.17	2	E/G
NP24-12	NP24-12FR	12	24.0	166	175	125	9.07	2	E/G
NP33-12	NP33-12FR	12	33.0	197	131	158	11.79	1	E/G
NP38-12	NP38-12FR	12	38.0	197	165	172	14.59	2	G
NP55-12	NP55-12FR	12	55.0	229	138	207	18.01	1	G
NP65-12	NP65-12FR	12	65.0	350	166	174	23.63	2	G
NP75-12	NP75-12FR	12	75.0	259	169	208	26.50	1	G
NP90-12	NP90-12FR	12	90.0	304	168	229	31.18	1	G
NP100-12	NP100-12FR	12	100.0	329	174	214	32.94	1	G
NP120-12	NP120-12FR	12	120.0	407	173	235	38.41	1	G
NP150-12	NP150-12FR	12	150.0	483	170	241	47.13	1	G
NP200-12	NP200-12FR	12	200.0	520	260	208	73.00	3	G

DataSafe® NPX Battery Series

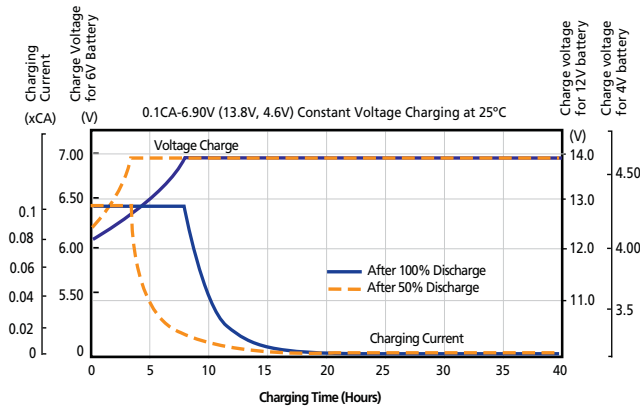
Types	FR Type*	Volts	Watts/Cell to 1.67 Vpc End Voltage 15 min	Nominal Capacity @ 25°C (20hr rate-Ah)	Length mm	Width mm	Overall Height (Inc. Terminals) mm	Weight kg	Layout	Terminal Illustration
NPX50-6	NPX50-6FR	6	50W/Cell	13.0	151	50	100	2.09	1	C
NPX24-12	NPX24-12FR	12	24W/Cell	6.0	151	51	100	2.28	4	neg A pos C
NPX25-12	NPX-25FR	12	23W/Cell	5.0	90	70	107	1.95	1	C
NPX35-12	NPX35-12FR	12	35W/Cell	8.0	151	65	100	2.75	4	A/C
NPX80-12	NPX80-12FR	12	80W/Cell	20.0	181	76	167	6.35	2	E
NPX100-12	NPX100-12FR	12	95W/Cell	28.0	166	125	175	9.70	2	E
NPX135-12	NPX135-12FR	12	135W/Cell	33.0	197	131	158	11.94	1	E
NPX150-12	NPX150-12FR	12	150W/Cell	40.0	197	165	172	14.29	2	G

UL listing - File No. MH16464

* FR: UL94-V0, Flame Retardant Container and Lid (Oxygen index: 30)

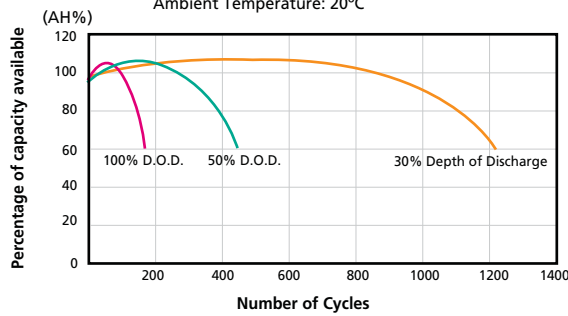
Dimension tolerance ± 1mm

Charging Characteristics



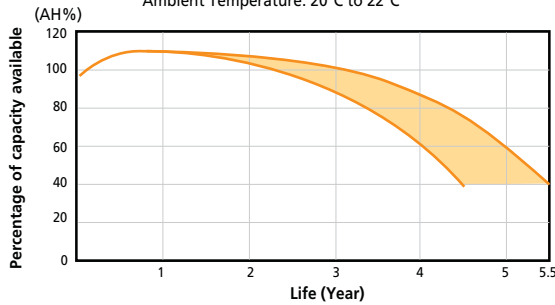
Cycle service life in relation to depth of discharge NP series

Testing conditions: Discharge Current: 0.17C Amp. (F.V. 1.7/Cell)
 Charging Current: 0.09C Amp.
 Charging Volume: 125% of Discharged Capacity
 Ambient Temperature: 20°C

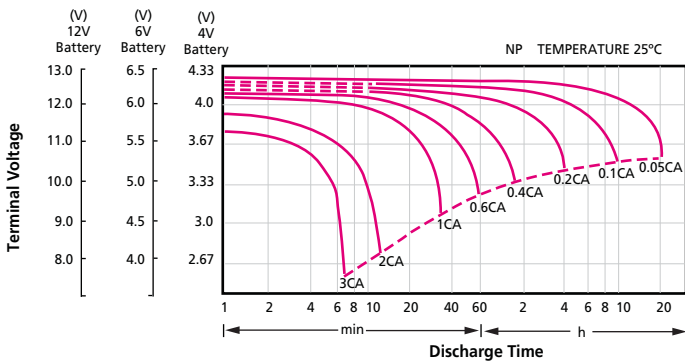


Float service life NP series

Testing conditions: Floating Voltage: 2.25 to 2.30V/Cell
 Ambient Temperature: 20°C to 22°C



Discharge characteristics curves at 25°C NP series



If discharge currents in excess of 3C are required, consult the EnerSys Technical Department prior to use.

Charging Voltage

Temperature °C	Standby use* Float voltage range per cell	Cyclic use** Volts per cell
0	2.340	2.510
10	2.310	2.480
20	2.280	2.450
25	2.265	2.435
30	2.250	2.420
35	2.235	2.405
40	2.220	2.390

* Minimum current 5% C₂₀ no max current limit.
 ** Max current limit 25% C₂₀



EnerSys EMEA
 EH Europe GmbH
 Löwenstrasse 32
 8001 Zurich, Switzerland

EnerSys Ltd.
 Oak Court
 Clifton Business Park
 Wynne Avenue, Swinton
 Manchester M27 8FF
 UK
 Tel: +44 (0)161 794 4611
 Fax: +44 (0)161 727 3809

Contact:

© 2012 EnerSys. All rights reserved.
 Trademarks and logos are the property of
 EnerSys and its affiliates.